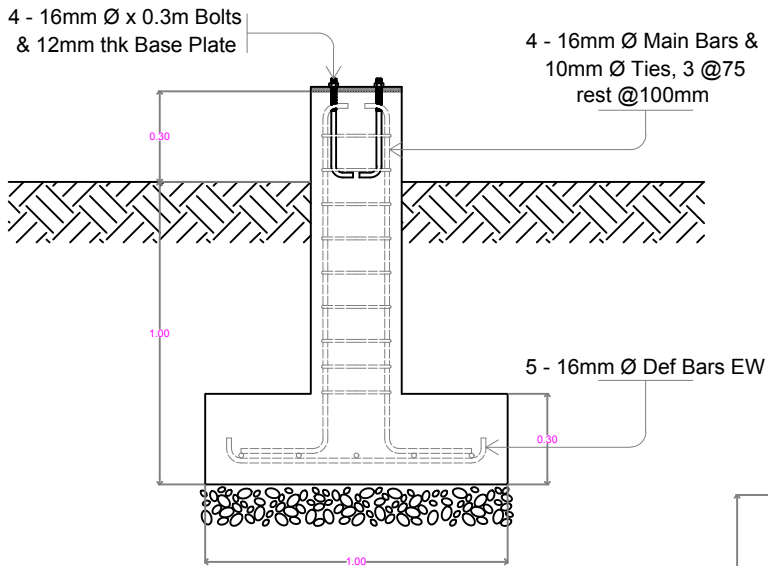


4 - 16mm \varnothing Main Bars &
12mm \varnothing Ties, 3 @75
rest @100mm

5 - 16mm \varnothing Def Bars EW

PLAN
SCALE 1 : 25



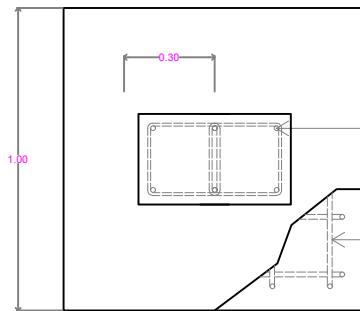
4 - 16mm \varnothing x 0.3m Bolts
& 12mm thk Base Plate

4 - 16mm \varnothing Main Bars &
10mm \varnothing Ties, 3 @75
rest @100mm

5 - 16mm \varnothing Def Bars EW

ELEVATION
SCALE 1 : 25

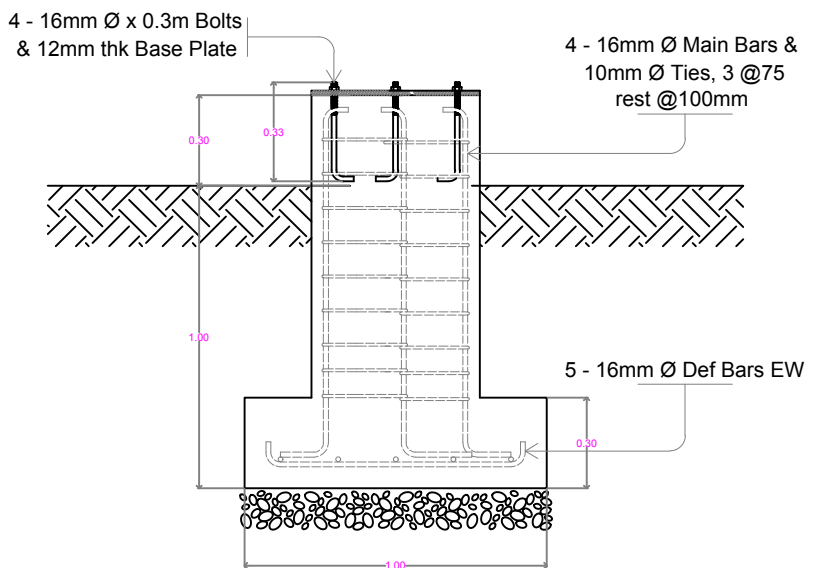
FOUNDATION 1



6 - 16mm \varnothing Main Bars &
2sets - 10mm \varnothing Ties,
3 @75 rest 100mm

5 - 16mm \varnothing Def Bars EW

PLAN
SCALE 1 : 25



4 - 16mm \varnothing x 0.3m Bolts
& 12mm thk Base Plate

4 - 16mm \varnothing Main Bars &
10mm \varnothing Ties, 3 @75
rest @100mm

5 - 16mm \varnothing Def Bars EW

ELEVATION
SCALE 1 : 25

FOUNDATION 2